

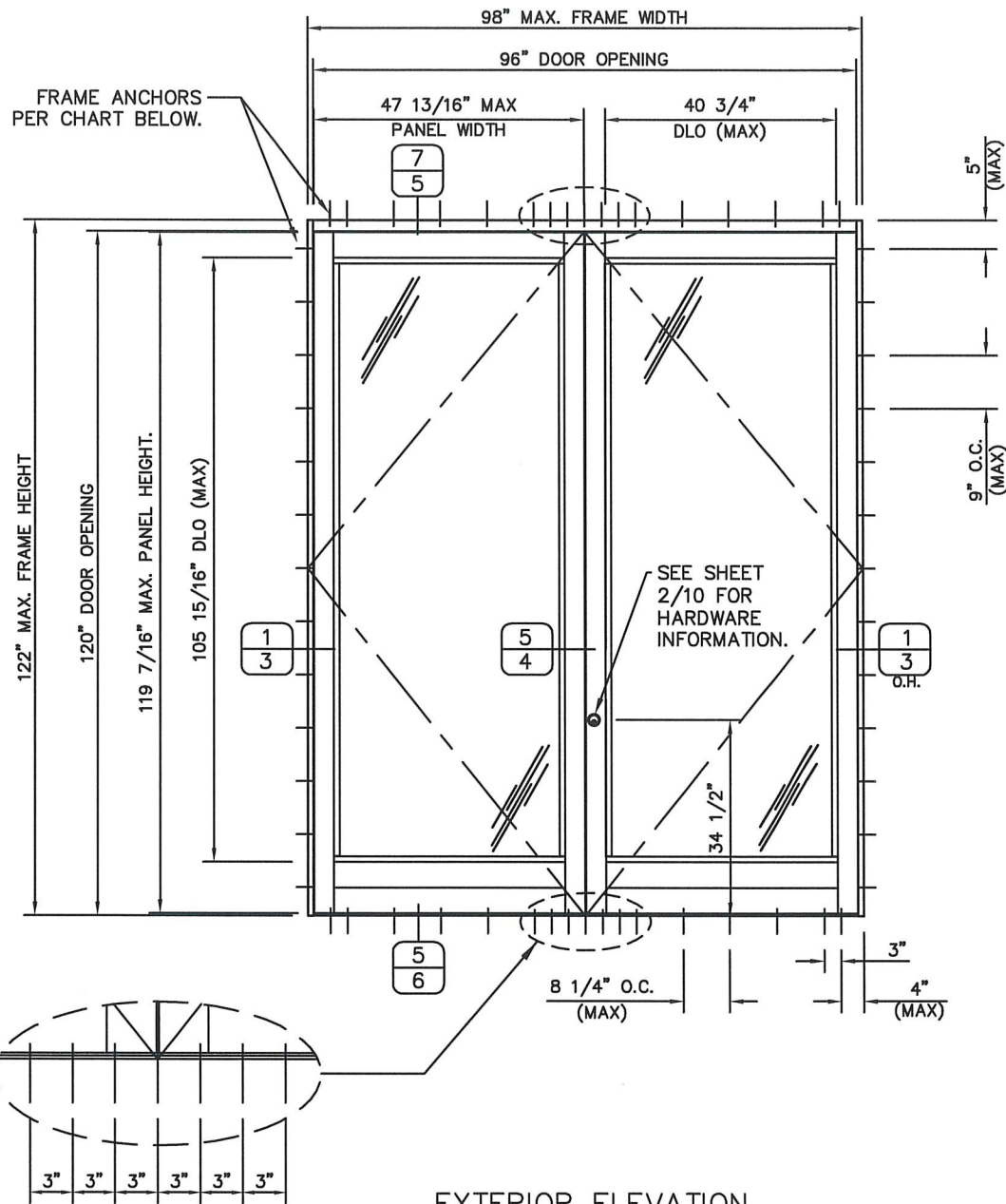
**RT-ASI SERIES GLAZED ALUMINUM DOORS**  
**LEVEL D & LEVEL E IMPACT RESISTANT,**  
**INSWING & OUTSWING SINGLES AND OUTSWING PAIRS**

**GENERAL NOTES:**

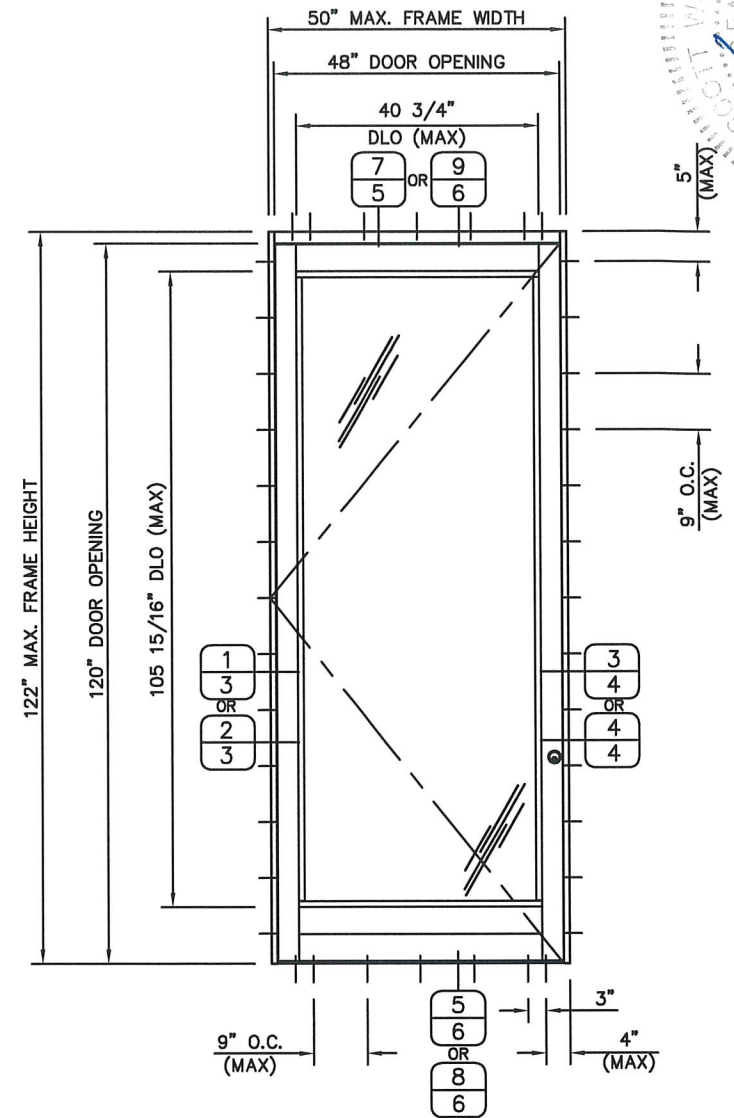
- THIS PRODUCT HAS BEEN TESTED PER TAS 201, 202, 203. ASTM E1886, AND ASTM E1996. IT MEETS ALL OF THE REQUIREMENTS OF THE 7TH EDITION (2020) FLORIDA BUILDING CODE, INCLUDING THE HVZH PROVISIONS.
- GLASS TYPES GL1 AND GL2 ARE LEVEL D LARGE AND SMALL MISSILE IMPACT RESISTANT, AND GLASS TYPE GL3 IS LEVEL E LARGE AND SMALL MISSILE IMPACT RESISTANT. SHUTTERS ARE NOT REQUIRED IN WINDBORNE DEBRIS REGIONS.
- OPENING SUBSTRATES, WOOD BUCKS (OPTIONAL), AND WOOD BUCK FASTENERS ARE BY OTHERS AND MUST BE DESIGNED AND INSTALLED PER FBC REQUIREMENTS TO SAFELY TRANSFER THE LOADS FROM THIS SYSTEM TO THE BUILDING STRUCTURE. SUBSTRATES SHALL MEET THE MIN STRENGTH REQUIREMENTS LISTED IN THE ANCHOR CHART BELOW.
- ANCHOR TYPE, SIZE, SPACING, AND EMBEDMENT SHALL BE AS LISTED IN THE ANCHOR CHART BELOW, ANCHOR EMBEDMENT IN SUBSTRATE SHALL BE BEYOND ANY WALL DRESSING OR STUCCO.
- ALL FASTENERS PENETRATING INTO PRESSURE TREATED WOOD SHALL BE CAPABLE OF PREVENTING CORROSION DUE TO REACTION WITH PRESSURE TREATMENT CHEMICALS.
- NO INCREASES IN ALLOWABLE STRESS FOR SHORT-TERM LOADING HAVE BEEN USED IN THE DESIGN OF THIS SYSTEM. THE 1.6 Cd FACTOR HAS BEEN USED IN THE ANALYSIS OF WOOD SCREWS ONLY.
- DISSIMILAR MATERIALS THAT COME INTO CONTACT SHALL BE PROTECTED TO PREVENT GALVANIC REACTIONS PER FBC REQUIREMENTS.

**CORNER CONSTRUCTION:**

- FRAME HEAD - THE FRAME HEAD IS SQUARE CUT, BUTTED, AND FASTENED THRU THE JAMBS INTO SCREW SPLINES WITH WITH (4) #12x1 1/2" SS HWH SCREWS.
- THRESHOLD - THE THRESHOLD IS SQUARE CUT, BUTTED, AND FASTENED THRU THE JAMBS INTO SCREW SPLINES WITH (2) #12x1 1/2" SS HWH SCREWS.
- PANEL CORNERS - DOOR RAILS ARE SQUARE CUT, BUTTED, AND FASTENED BETWEEN STILES WITH (1) 3/8" SS THREADED ROD IN THE TOP RAIL AND (2) 3/8" SS THREADED RODS IN THE BOTTOM RAIL. THE THREADED RODS RUN THRU SCREW RACES IN THE RAILS AND FASTEN AT THE STILES WITH 3/8" SS LOC-NUTS AND FLAT WASHERS.



EXTERIOR ELEVATION  
(OUTSWING)



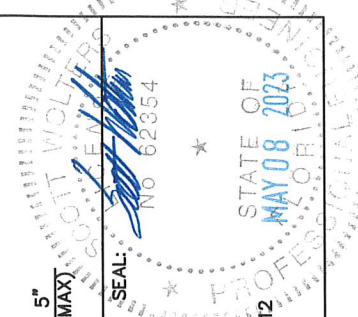
EXTERIOR ELEVATION  
(INSWING or OUTSWING)

ANCHOR CHART

SUBSTRATE	FASTENER TYPE	MINIMUM EMBEDMENT	MIN EDGE DISTANCE
STEEL (1/8", A36 MIN)	1/4" DIA. F-TYPE THREAD-FORMING SCREW (SAE Gr. 5 min)	FULL*	1"
ALUMINUM (1/8", 6063-T6 MIN)	1/4" DIA. F-TYPE THREAD-FORMING SCREW (SAE Gr. 5 min)	FULL*	1"
METAL STUDS (16 Ga, Fut=45 ksi min)	1/4" DIA. TEKS-TYPE SELF-DRILLING SCREW (SAE Gr. 5 min)	FULL*	1"
CONCRETE (3150 ksi, MIN)	1/4" DIA. DEWALT ULTRACON or ITW TAPCON CONCRETE SCREW	1 3/4"	2 1/2"
CMU BLOCK (ASTM C90, MIN) (JAMBS ONLY)	1/4" DIA. DEWALT ULTRACON or ITW TAPCON CONCRETE SCREW	1 3/4"	2 1/2"

\* METAL SCREWS MUST FULLY PENETRATE THE WALL OF THE METAL STUD, WITH THREE ADDITIONAL THREADS BEYOND.

PLEASE SEE SHEET 2/7 FOR APPROVED  
GLASS TYPES, DOOR HARDWARE, AND  
MAX DESIGN PRESSURES.



SCOTT WOLTERS  
FL PE# 62354  
WOLTERS ENGINEERING  
(COA# 27194)  
15211 97TH ROAD N  
WEST PALM BEACH, FL 33412  
(561) 225-1982

RT ASI SERIES GLAZED ALUMINUM DOORS

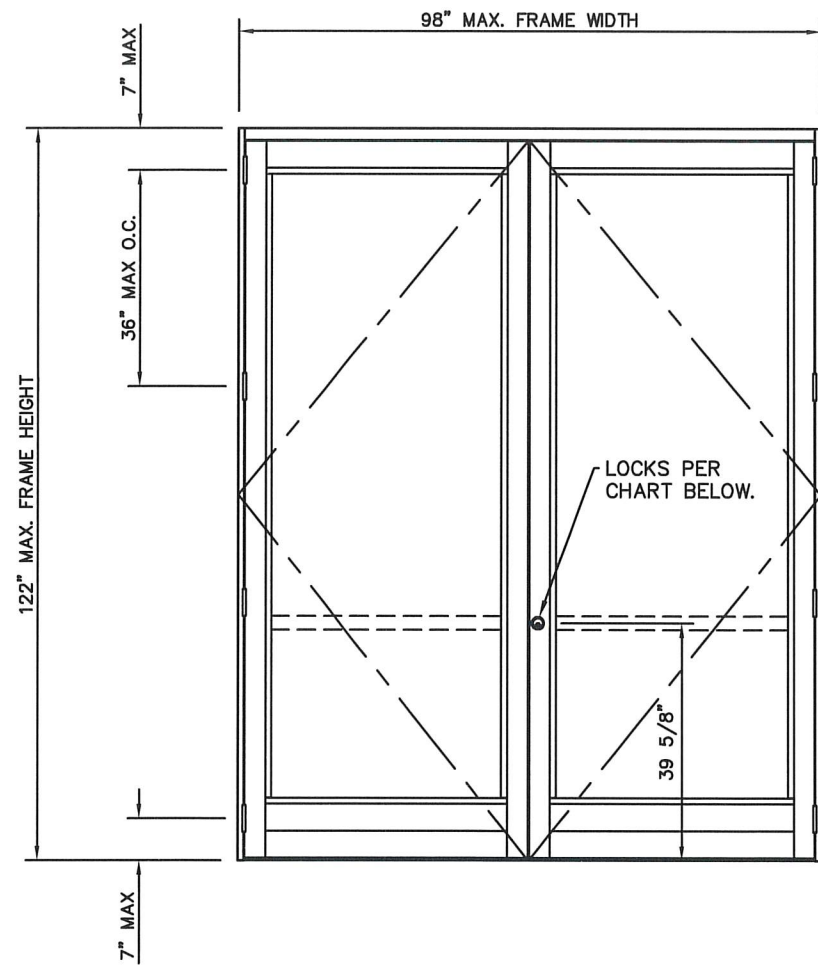
PHYSICAL SECURITY, LLC  
600 BELVIEW STREET  
BESSEMER, AL 35020  
PHONE: (205)425-4072  
FAX: (205)426-3937



DWG: RT-ASI-HZ  
SHEET: 1/7

DESCRIPTION	DATE	REV #
FIRST SUBMITTAL	4/30/23	
PRINTS ISSUED FOR		

**RT-ASI SERIES GLAZED ALUMINUM DOORS**  
GLASS AND HARDWARE OPTIONS



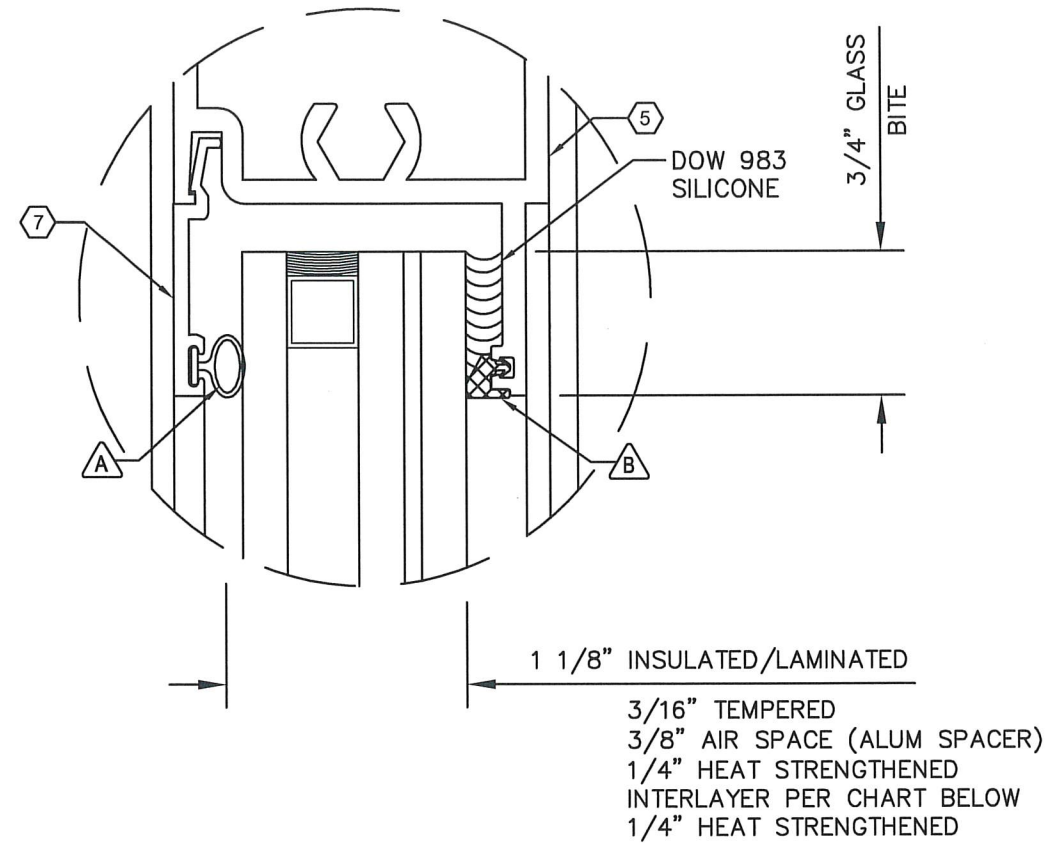
EXTERIOR ELEVATION  
(HARDWARE LAYOUT)

LOCK OPTIONS - INSWING AND OUTSWING SINGLES		
LOCK TYPE	IMPACT RATING	MAX DESIGN PRESSURE (psf)
ADAMS RITE 1850 3-POINT LOCK with VON DUPRIN 98/99EO RIM PANIC	LEVEL E	+/- 120

NOTE - 3-POINT LOCK MUST BE ENGAGED FOR ANY WEATHER EVENT WITH WINDSPEEDS > 75 mph.

LOCK OPTIONS - OUTSWING SINGLES AND PAIRS		
LOCK TYPE	IMPACT RATING	MAX DESIGN PRESSURE (psf)
ATH 8000 SERIES CVR PANIC	LEVEL E	+/- 120
BEST 2800 SERIES CVR PANIC	LEVEL D	+/- 120
VON DUPRIN 98/9947 CVR PANIC	LEVEL D	+/- 75

GLAZING DETAIL



GLAZING OPTIONS			
GLASS TYPE	INTERLAYER	IMPACT RATING	MAX DESIGN PRESSURE (psf)
GL-1	0.090" PVB ES	LEVEL D	+/- 75
GL-2	0.090" SENTRYGLAS	LEVEL D	+/- 120
GL-3	0.180" SENTRYGLAS	LEVEL E	+/- 120

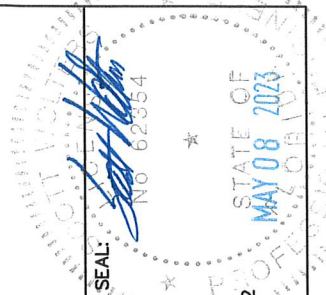
ALL THREE INTERLAYERS ARE BY KURARAY AMERICA, INC.

WATER INFILTRATION and THRESHOLD REQUIREMENTS	
WATER INFILTRATION/THRESHOLD CONDITIONS	MAX DESIGN PRESSURE (psf)
DOORS IN AREAS WHERE WATER INFILTRATION RESISTANCE IS NOT REQUIRED OR WHERE THE DOOR IS PROTECTED BY AN OVERHANG PER THE REQUIREMENTS OF FBC SECTION 1709.5.1.	+/- 120
OUTSWING SINGLES AND PAIRS WITH STANDARD THRESHOLD AND OPTIONAL WATER DAM (SEE SHEET 5/7)	+/- 120
INSWING SINGLE DOORS WITH STANDARD THRESHOLD	+100/- 120
OUTSWING SINGLES AND PAIRS WITH STANDARD THRESHOLD	N/A

WATER INFILTRATION and THRESHOLD REQUIREMENTS			
WATER INFILTRATION REQUIREMENTS	THRESHOLD	DOOR TYPES	MAX DESIGN PRESSURE (psf)
DOORS IN AREAS WHERE WATER INFILTRATION RESISTANCE IS NOT REQUIRED OR WHERE THE DOOR IS PROTECTED BY AN OVERHANG PER THE REQUIREMENTS OF FBC SECTION 1709.5.1.	STANDARD THRESHOLD (SEE DETAILS 6/5 or 8/6)	ALL DOORS	+/- 120
DOORS IN AREAS WHERE RESISTANCE TO WATER INFILTRATION IS REQUIRED	STANDARD THRESHOLD WITH OPTIONAL WATER DAM (PART# 14)	OUTSWING SINGLES AND PAIRS INSWING SINGLE DOORS	+/- 120 +100/- 120
	STANDARD THRESHOLD	ALL DOORS	N/A

SEAL: SCOTT WOLTERS  
FL PE# 62354

WOLTERS ENGINEERING  
(COA# 27194)  
15211 97TH ROAD N  
WEST PALM BEACH, FL 33412  
(561) 225-1982



RT ASI SERIES GLAZED ALUMINUM DOORS

DESCRIPTION	REV.#	DATE
FIRST SUBMITTAL	1	4/30/23
PRINTS ISSUED FOR		

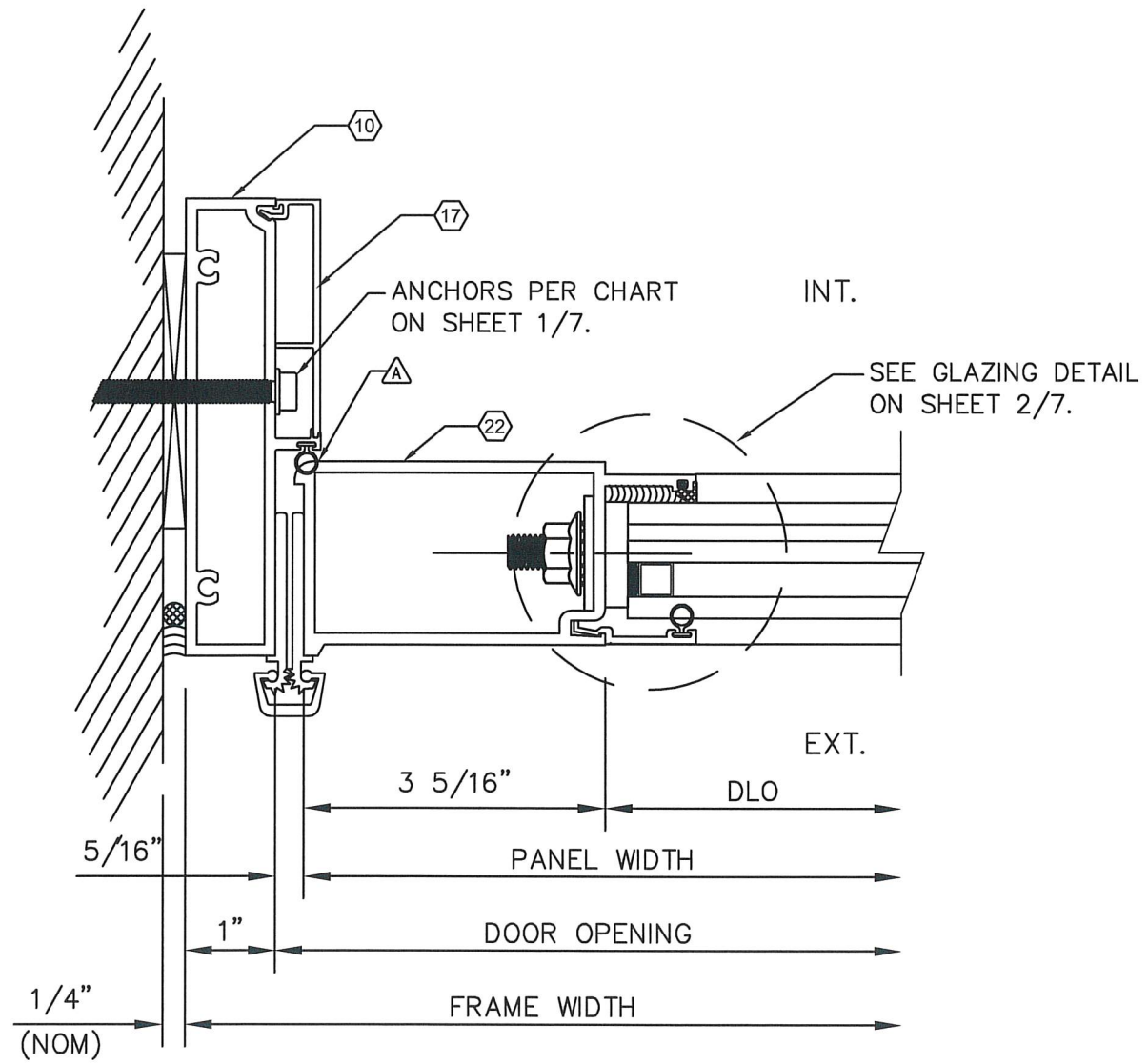
PHYSICAL SECURITY, LLC

600 BELVIEW STREET  
BESSEMER, AL 35020  
PHONE: (205)425-4072  
FAX: (205)426-3937

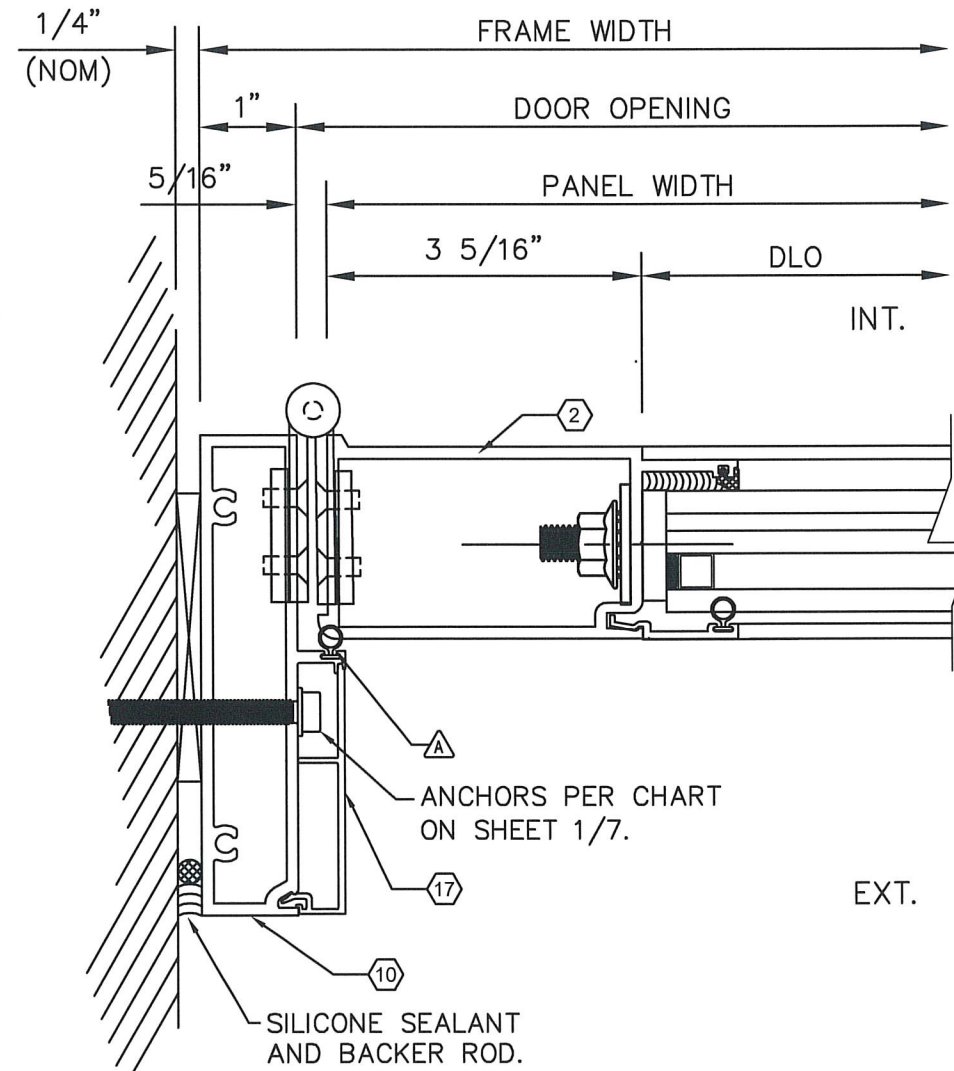


DWG: RT-ASI-HZ  
SHEET: 2/7

**RT-ASI SERIES GLAZED ALUMINUM DOORS**  
**HINGE JAMB DETAILS**



1  
3



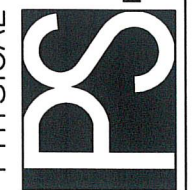
2  
3



SEAL: SCOTT WOLTERS  
 FL PE# 62354  
 WOLTERS ENGINEERING  
 (COA# 27194)  
 15211 97TH ROAD N  
 WEST PALM BEACH, FL 33412  
 (561) 225-1982

REV.#	DATE	DESCRIPTION
1		
2		
3		
4	4/30/23	FIRST SUBMITTAL
5		PRINTS ISSUED FOR

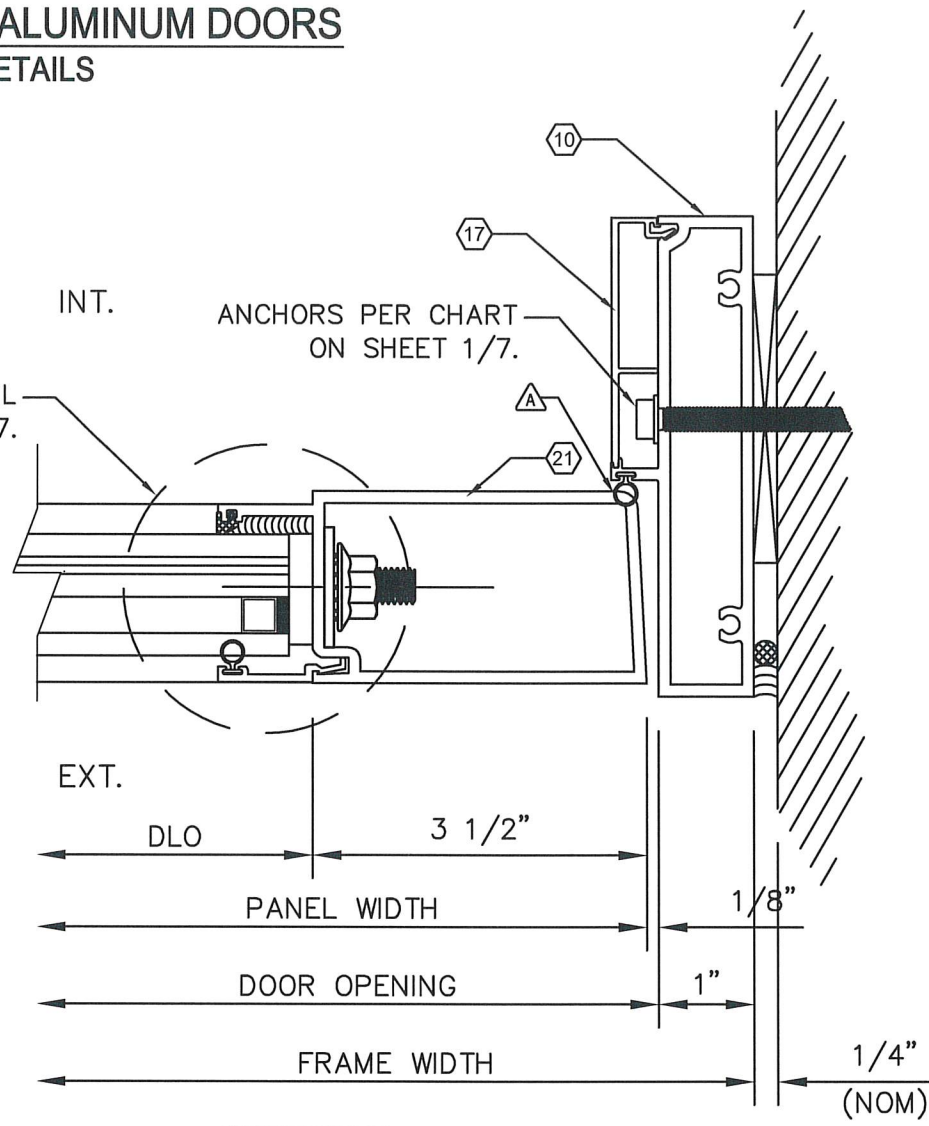
PHYSICAL SECURITY, LLC  
 600 BELVIEW STREET  
 BESSEMER, AL 35020  
 PHONE: (205)425-4072  
 FAX: (205)426-3937



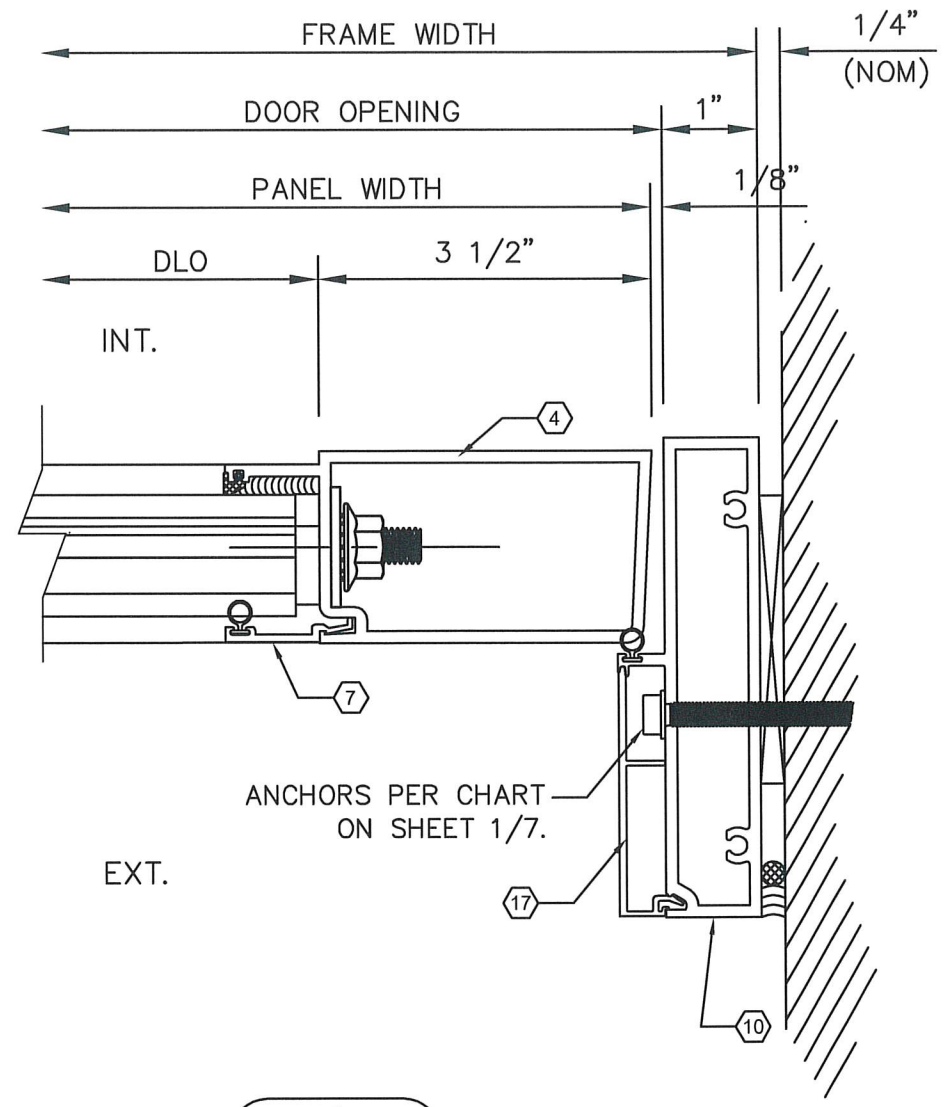
DWG: RT-ASI-HZ  
 SHEET: 3/7

**RT-ASI SERIES GLAZED ALUMINUM DOORS**  
**LOCK JAMB/MEETING STILE DETAILS**

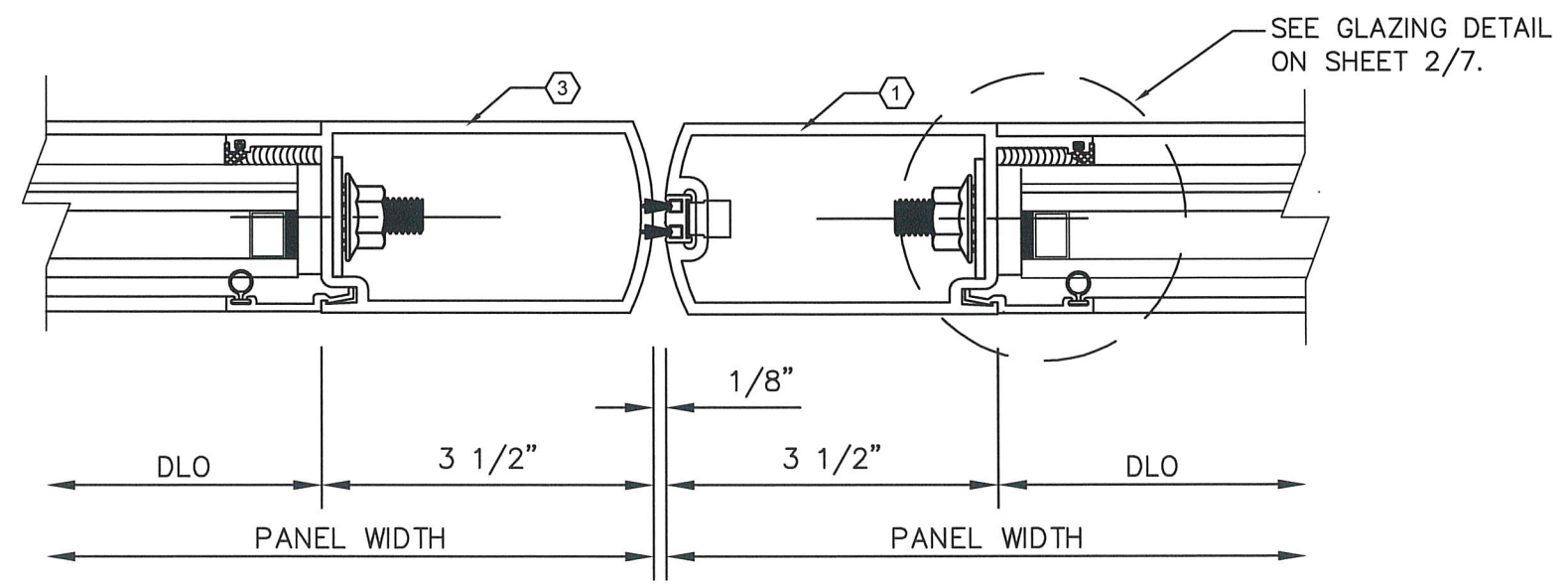
SEE GLAZING DETAIL  
 ON SHEET 2/7.



3  
4



4  
4



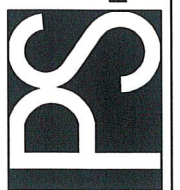
5  
4



SEAL: SCOTT WOLTERS  
 FL PE# 62354  
 WOLTERS ENGINEERING  
 (COA# 27194)  
 15211 97TH ROAD N  
 WEST PALM BEACH, FL 33412  
 (561) 225-1982

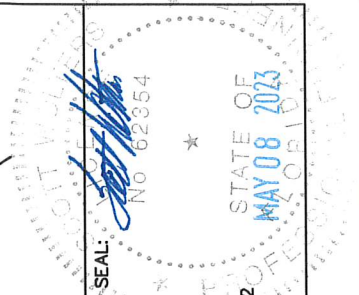
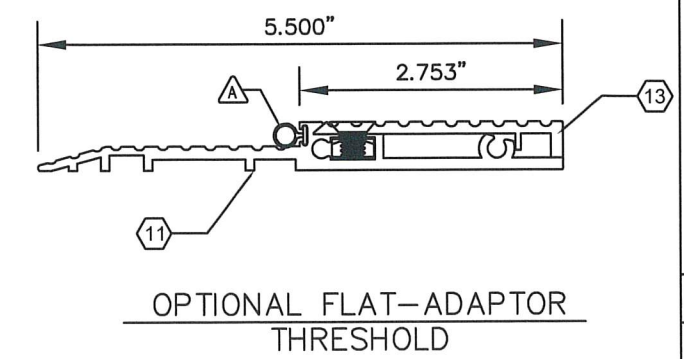
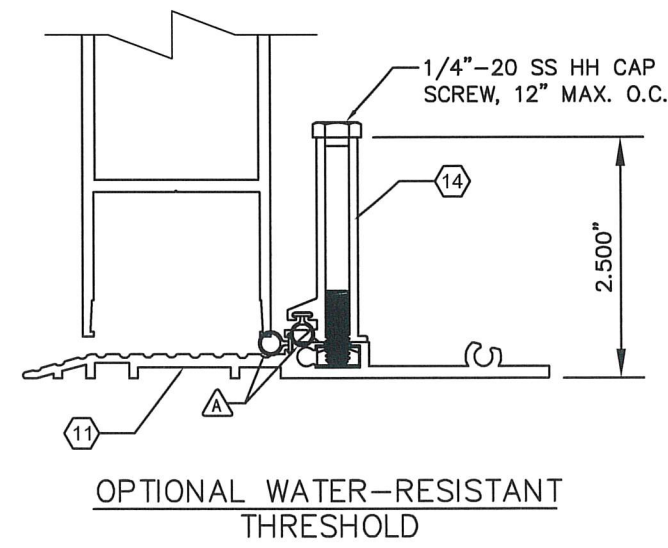
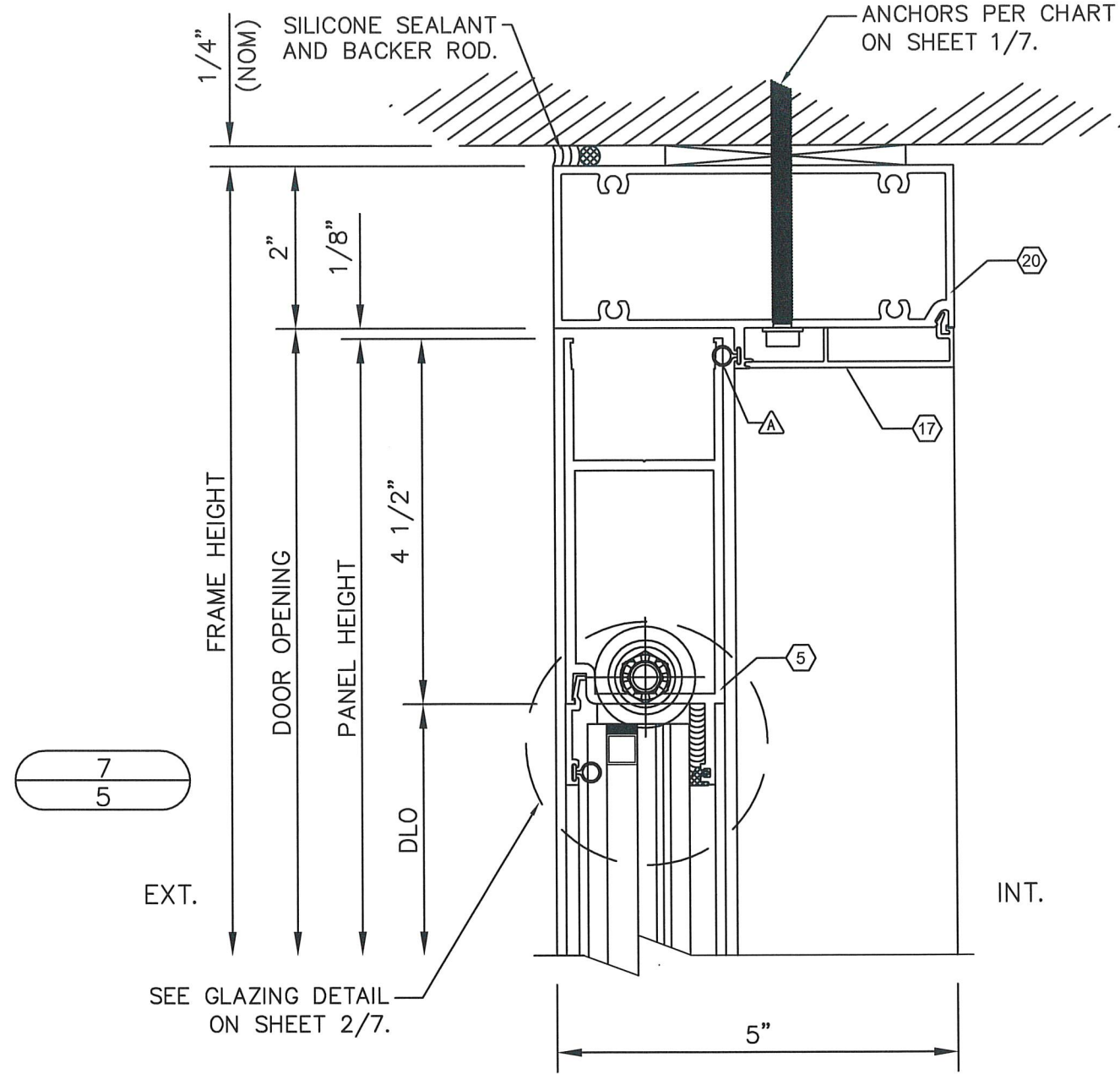
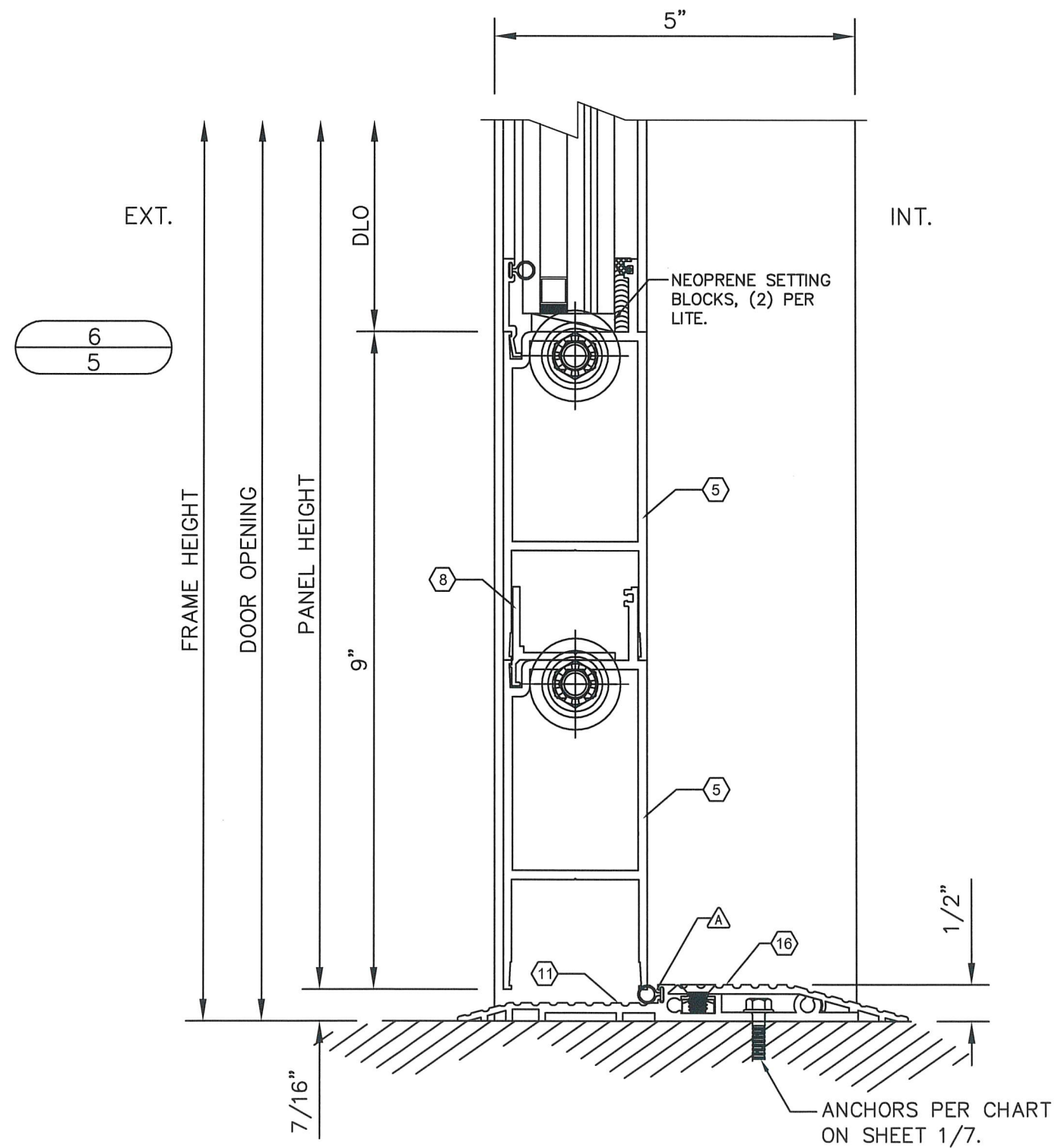
RT ASI SERIES GLAZED ALUMINUM DOORS		DESCRIPTION
FIRST SUBMITTAL	4/30/23	
PRINTS ISSUED FOR	REV#	DATE

PHYSICAL SECURITY, LLC  
 600 BELVIEW STREET  
 BESSEMER, AL 35020  
 PHONE: (205)425-4072  
 FAX: (205)426-3937



DWG: RT-ASI-HZ  
 SHEET: 4/7

**RT-ASI SERIES GLAZED ALUMINUM DOORS**  
**OUTSWING DETAILS**



SCOTT WALTERS  
 FL PE# 62354  
 WALTERS ENGINEERING  
 (COA# 27194)  
 15211 97TH ROAD N  
 WEST PALM BEACH, FL 33412  
 (561) 225-1982

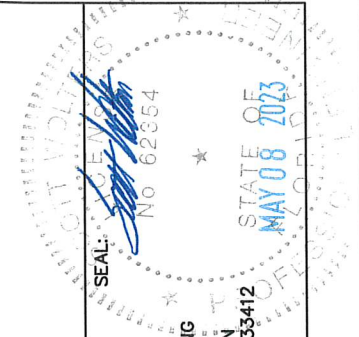
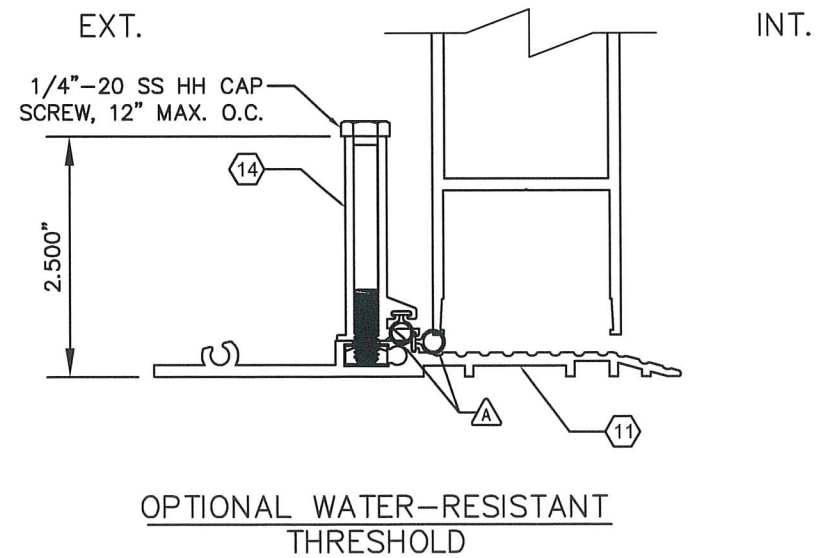
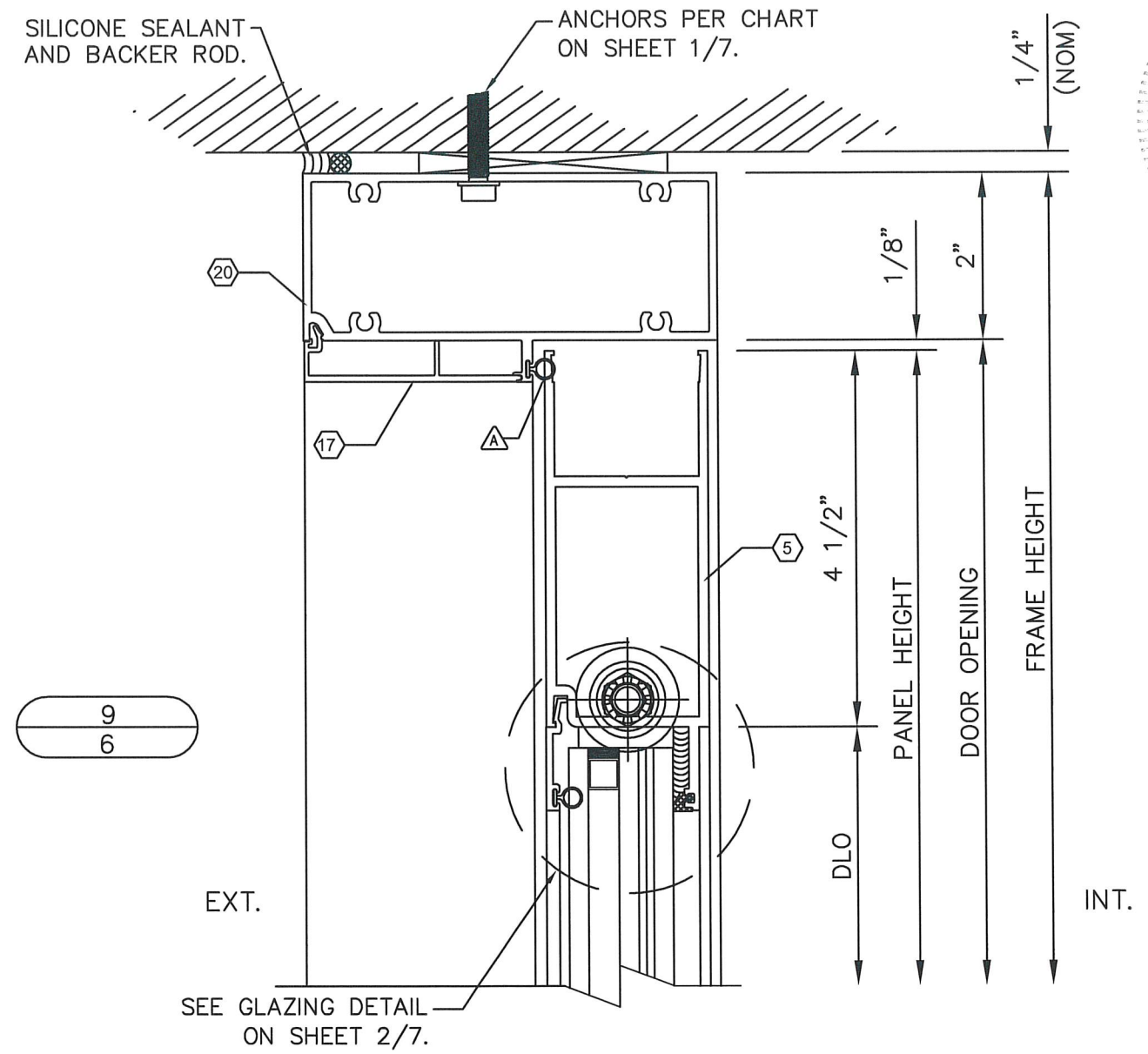
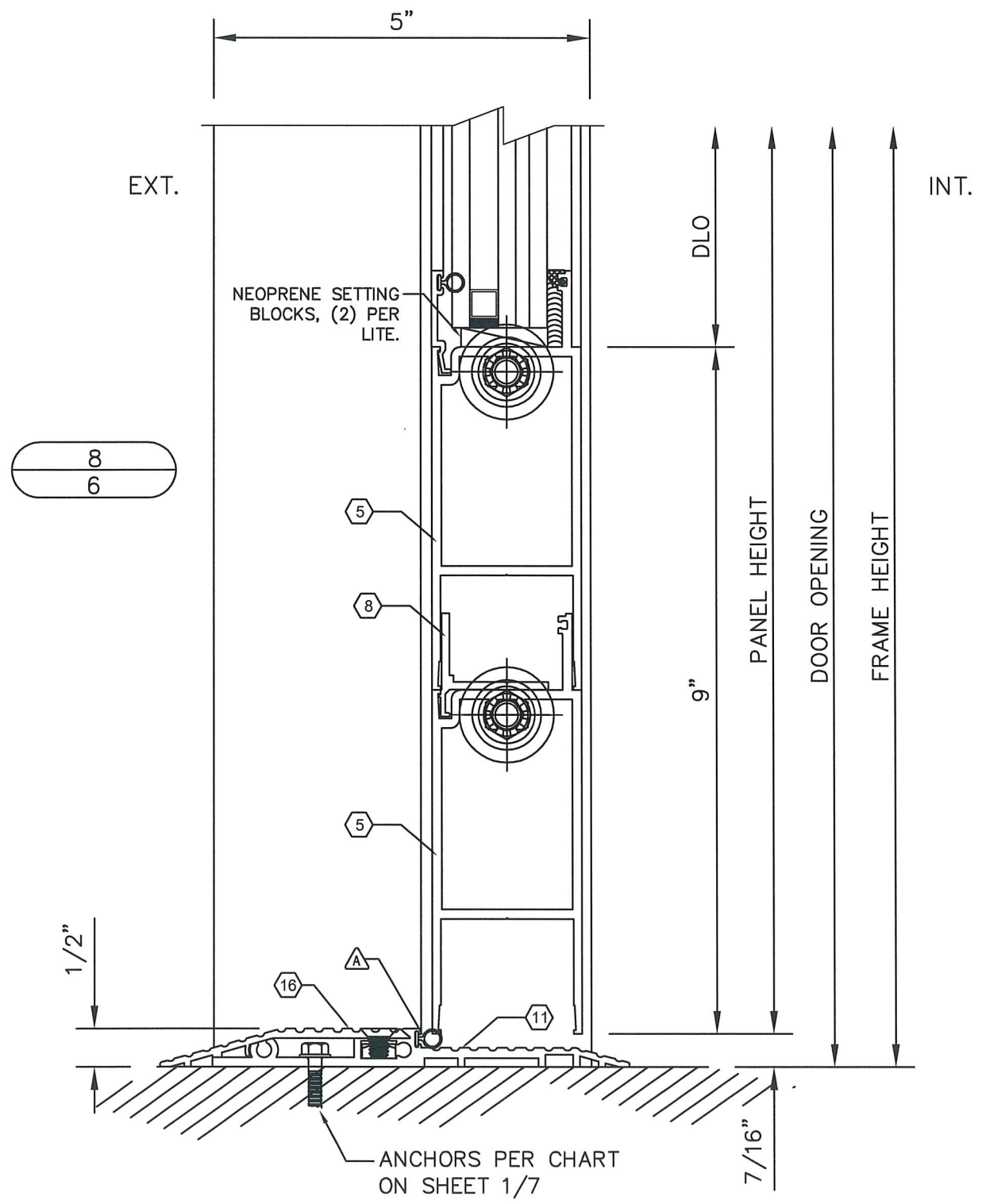
RT ASI SERIES GLAZED ALUMINUM DOORS		
REV.#	DATE	DESCRIPTION
1	4/30/23	FIRST SUBMITTAL
2		PRINTS ISSUED FOR

PHYSICAL SECURITY, LLC  
 600 BELVIEW STREET  
 BESSEMER, AL 35020  
 PHONE: (205)425-4072  
 FAX: (205)426-3937

**PS**

DWG: RT-ASI-HZ  
 SHEET: 5/7

**RT-ASI SERIES GLAZED ALUMINUM DOORS**  
**INSWING DETAILS**



SEAL: SCOTT WALTERS  
 FL PE# 62354  
 WALTERS ENGINEERING  
 (COA# 27194)  
 15211 97TH ROAD N  
 WEST PALM BEACH, FL 33412  
 (561) 225-1982

RT ASI SERIES GLAZED ALUMINUM DOORS		DATE	DESCRIPTION
---	---	---	---
FIRST SUBMITTAL	4/30/23	---	---
PRINTS ISSUED FOR	REV.#	---	---



PHYSICAL SECURITY, LLC  
 600 BELVIEW STREET  
 BESSEMER, AL 35020  
 PHONE: (205)425-4072  
 FAX: (205)426-3937




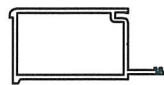
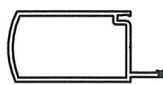

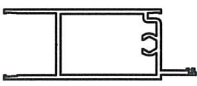
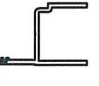


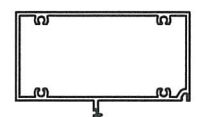
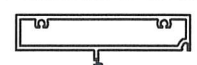
# RT-ASI SERIES GLAZED ALUMINUM DOORS

## BILL OF MATERIALS

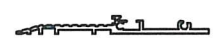








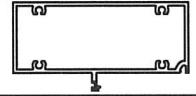
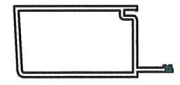
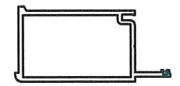
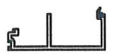
### RT SWING DOOR - GASKET LIST

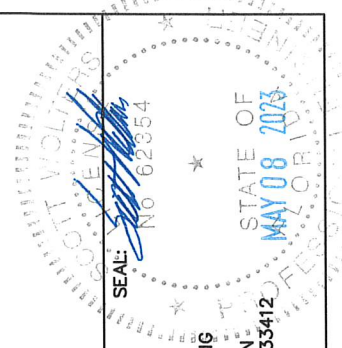
TAG	PROFILE	MANUF. PART #	NOTES
A	 1:1	ASI-E276 E276	.250 BULB GASKET POLYPROPYLENE
B	 1:1	ASI-2562 2562-02-00	.187 PRESET GASKET 80 DURO.

### RT SWING DOOR - ALUMINUM EXTRUSION LIST

TAG	PART No.	DETAIL	DESCRIPTION	LB/IN	PERIMETER INCH
1	ASI-LW01	 1:4	3.5 LOCK STILE	0.15	14.50
2	ASI-LW02	 1:4	3.5 IG HINGE STILE	0.15	13.95
3	ASI-LW03	 1:4	3.5 ASTRAGAL STILE	.014	13.73
4	ASI-LW04	 1:4	3.5 IG BEVEL STILE	0.15	14.06
5	ASI-LW05	 1:4	4.5 TOP & BOTTOM RAIL	0.17	19.17
6	ASI-LW06	 1:4	MID-RAIL ADAPTER	0.06	11.52
7	ASI-LW07	 1:4	1.1 GLAZING BEAD	0.01	3.60
8	ASI-LW08	 1:4	SHEAR BLOCK	0.03	5.66
9	ASI-LW09	 1:4	2.5 DOOR FRAME	0.17	16.87
10	ASI-LW10	 1:4	1.0 DOOR FRAME	0.16	13.90

### RT SWING DOOR - ALUMINUM EXTRUSION LIST

TAG	PART No.	DETAIL	DESCRIPTION	LB/IN	PERIMETER INCH
11	ASI-LW11	 1:4	WATER DAM THRESHOLD	0.08	15.64
12	ASI-LW12	 1:4	----	----	---
13	ASI-LW13	 1:4	THRESHOLD FLUSH ADAPTER	0.03	6.67
14	ASI-LW14	 1:4	WATER DAM	0.05	6.37
15	ASI-LW15	 1:4	----	----	---
16	ASI-LW16	 1:4	THRESHOLD SLOPE ADAPTER	0.03	7.68
17	ASI-LW17	 1:4	FRAME STOP COVER	0.03	7.91
18	ASI-LW18	 1:4	----	----	---
19	ASI-LW19	 1:4	THRESHOLD SLOPE ADAPTER	0.03	7.68
20	ASI-LW20-1	 1:4	2.0 DOOR FRAME	0.16	15.87
21	ASI-LW21-1	 1:4	3.5 OG BEVEL STILE	0.15	13.95
22	ASI-LW22-1	 1:4	3.5 OG HINGE STILE	0.15	14.06
23	ASI-LW23-1	 1:4	1.0 CLOSER STOP COVER	0.05	11.81



SCOTT WOLTERS  
FL PE# 62354

WOLTERS ENGINEERING  
(COA# 27194)  
15211 97TH ROAD N  
WEST PALM BEACH, FL 33412  
(561) 225-1982

RT ASI SERIES GLAZED ALUMINUM DOORS

PHYSICAL SECURITY, LLC  
600 BELVIEW STREET  
BESSEMER, AL 35020  
PHONE: (205)425-4072  
FAX: (205)426-3937

DWG: RT-ASI-HZ  
SHEET: 7/7

REV#	DATE	DESCRIPTION
1	4/30/23	FIRST SUBMITTAL PRINTS ISSUED FOR